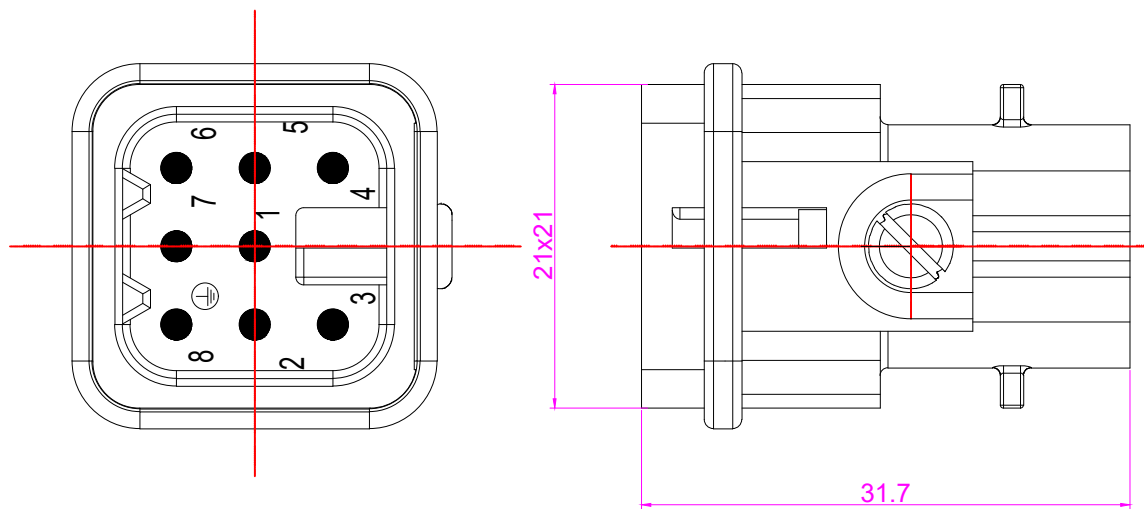
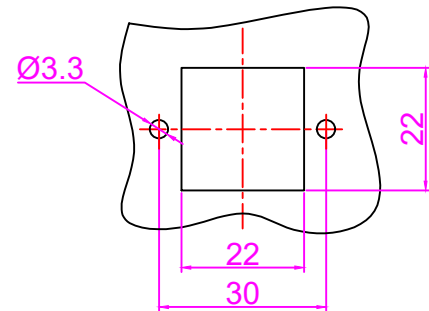


REVISION DATA				
SYM	ECN	DESCRIPTION	DATE	APPROVED



技术参数:  
 插芯:  
 插针数: 8+PE  
 额定电流: 10A  
 工作电压: -50/-120V  
 额定脉冲电压: 4KV  
 污染等级: 3  
 依据UL/CSA的额定电压: 50V  
 绝缘阻抗:  $\geq 10^{10} \Omega$   
 材料: 聚碳酸酯  
 温度范围:  $-40^{\circ}\text{C} \sim +125^{\circ}\text{C}$   
 依据UL94的阻燃等级: V0  
 可插拔次数:  $\geq 500$

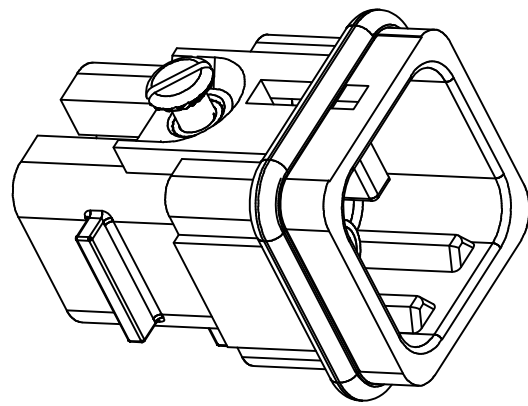
Specifications:  
 Inserts:  
 Number of contacts: 8+PE  
 Rated current: 10A  
 Rated voltage: -50/-120V  
 Rated impulse voltage: 4KV  
 Pollution degree: 3  
 Rated voltage acc. to UL/CSA: 50V  
 Insulation resistance:  $\geq 10^{10} \Omega$   
 Material: Polycarbonate  
 Limiting temperatures:  $-40^{\circ}\text{C} \sim +125^{\circ}\text{C}$   
 Flammability acc. to (UL94): V0  
 Mechanical working life -mating cycles:  $\geq 500$



面板开孔图  
 Panel cut

插针:  
 接线方式: 冷压连接  
 材料: 铜合金  
 表面处理: 镀银 镀金  
 接触电阻:  $\leq 3\text{m}\Omega$   
 线径范围:  $0.14 \sim 2.5\text{mm}^2$  (AWG26-14)

Contacts:  
 Terminal: Crimp terminal  
 Material: Brass  
 Surfac: hard-silver plated/Gold plated  
 Contact resistance:  $\leq 3\text{m}\Omega$   
 Crimp terminal  
 Wire gauge-- $\text{mm}^2$ :  $0.14 \sim 2.5\text{mm}^2$   
 Wire gauge--AWG: 26-14



Tolerance		SIGNATURE	DATE	Units	mm
0~ $\leq 20$	$\pm 0.15$	DRAW		Size	A4
20~ $\leq 50$	$\pm 0.25$	DESIGN		Scale	
50~ $\leq 80$	$\pm 0.35$	CHECK		Sheet	
80~ $\leq 120$	$\pm 0.50$	APPROVE		Proj.	

**宁波欧科瑞连接器有限公司**  
 NINGBO OUKERUI CONNECTOR CO.,LTD.  
 PART NAME: HZW-HD-008-M  
 Drawing NO. \_\_\_\_\_ REV \_\_\_\_\_  
 Material \_\_\_\_\_ A