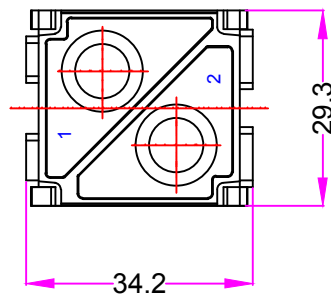
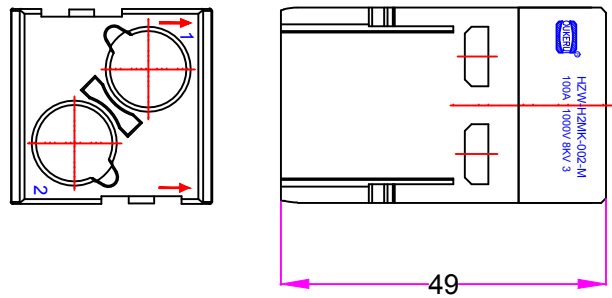


REVISION DATA				
SYM	ECN	DESCRIPTION	DATE	APPROVED

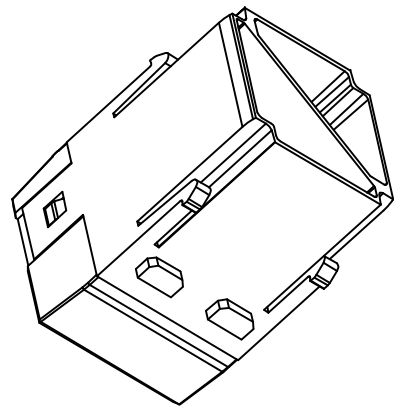



技术参数:  
 插芯:  
 插针数: 2  
 额定电流: 100A  
 工作电压: 1000V  
 额定耐受脉冲电压: 8KV  
 污染等级: 3  
 材料: Polycarbonate

Specifications:  
 Inserts:  
 Number of contacts: 2  
 Rated current: 100A  
 Rated voltage: 1000V  
 Rated impulse voltage: 8KV  
 Pollution degree: 3  
 Material: Polycarbonate

插针:  
 接线方式: 轴向螺纹连接  
 材料: 铜合金  
 表面处理: 镀银  
 接触电阻:  $\leq 3m\Omega$   
 线径范围: 16~35mm<sup>2</sup> (AWG6-2)  
 内六角扳手: SW4

Contacts:  
 Terminal: screw terminal  
 Material: Copper alloy  
 Surfac: hard-silver plated  
 Contact resistance:  $\leq 3m\Omega$   
 Crimp terminal  
 Wire gauge--mm<sup>2</sup>: 16~35mm<sup>2</sup>  
 Wire gauge--AWG: 6-2  
 Hexaonal driver: SW4



Tolerance		SIGNATURE	DATE	Units	mm	 宁波欧科瑞连接器有限公司 NINGBO OKERUI CONNECTOR CO., LTD.		
0~ $\leq 20$	$\pm 0.15$	DRAW		Size	A4	PART NAME: HZW-H2MK-002.2-M		
20~ $\leq 50$	$\pm 0.25$	DESIGN		Scale		Drawing NO.		REV
50~ $\leq 80$	$\pm 0.35$	CHECK		Sheet		Material		A
80~ $\leq 120$	$\pm 0.50$	APPROVE		Proj.	